

17 & 20kW¹ Standby Generator



Briggs & Stratton[®] The Smart Choice

Durable back-up power for businesses and luxury homes. Guard against losses due to power outages with a Briggs & Stratton Standby Generator.



Unique Airflow Technology

- Making these models 50% quieter than most portable generators
- The unique design pushes engine exhaust out the front, directly away from your home

Flexible Placement

- Approved for installation as close as 18" to a building²

Symphony[®] II Power Management System

- Customizable to your home's needs
- Automatically balances the power of your home's electrical load including high wattage items like air conditioning units and electric ovens
- Offers whole house power with a more affordable home generator

Commercial-Grade Vanguard[®] Engine

- Powerful V-Twin OHV engine
- Easy conversion between natural gas (NG) and liquid propane vapor (LPV) during installation

Quality Clean Power

- Ensures your electronics are safely powered

Corrosion Resistant Enclosure and Base Options:

- Automotive grade galvanized steel enclosure and base
- Certified to withstand hurricane-force winds up to 175 mph⁵
- Powder-coated paint for years of protection against chips and abrasions

Briggs & Stratton[®] Full Synthetic Generator Oil

- Shields the engine from low temperature sludge buildup and high temperature deposits
- Reduces engine wear, scuffing and abrasion
- Enhanced cold weather start-up protection to -20°F

Generator Set Rating

Model	Enclosure Type	Voltage	Phase ³	Hz	Circuit Breaker Amps	Liquid Propane Vapor		Natural Gas		Limited Warranty ⁴	
						LPV kW ¹	LPV Amps	NG kW ¹	NG Amps	Parts, Labor, Travel	
17kW	040549	Galvanneal	120/240	1	60	80	17	70.8	15.3	63.8	5 Year
20kW	040336	Galvanneal	120/240	1	60	100	20	83.3	18	75	5 Year
20kW	040574	Aluminum	120/240	1	60	100	20	83.3	18	75	5 Year

¹ This generator is certified in accordance with UL (Underwriters Laboratories) 2200 (stationary engine generator assemblies) and CSA (Canadian Standards Association) standard C22.2 No. 100-14 (motors and generators).

² The installation manual contains specific instructions related to generator placement in addition to NFPA 37, including the requirement that carbon monoxide detectors be installed and maintained in your home.

³ Single phase units are rated at 1.0 power factor and three phase units are rated at 0.8 power factor.

⁴ See operator's manual or BRIGGSandSTRATTON.com for complete warranty details.

⁵ When installed in accordance with the installation manual.



Engine Specifications

Engine	
Engine Brand	Vanguard®
Engine Speed (RPM)	3600
Engine Fuel	Liquid Propane Vapor (LPV) or Natural Gas (NG)
Engine Cylinder Configuration	OHV
Number of Cylinders	2
Displacement (cc)	993
Compression Ratio	8.5:1
Governor Type	Electronic
Frequency Regulation	+/- 1 Hz
Valves	OHV with Hardened Seats
Ignition System	Fixed Timing Magnetron Electric Ignition
Starter Motor Rating Voltage	12 Volt
Battery Required	12 Volt, Group BCI 26 or 51, 540 CCA Minimum

Lubrication	
Oil Capacity (oz)	78
Lubrication System	Full Pressure
Recommended Oil	5W30 Full Synthetic
Alternator Specs	
Manufacturer	Briggs & Stratton
Type	Self-Excited, Rotation Field
Voltage Regulator	Brushed/Electronic
Insulation	Class F
Controller Features	
Hour Meter	Yes
LED Digital Display	Yes
Fault Code Display	Yes
Weekly Exerciser	Yes
Low Oil Pressure Shutdown	Yes
High Temperature Shutdown	Yes

Operations

Fuel Consumption²

		Full Load	1/2 Load	No Load
17kW	BTU/hr	NG - 248,000 LPV - 295,000	NG - 170,000 LPV - 185,000	NG - 99,000 LPV - 100,000
	ft ³ /hr	NG - 248 LPV - 118	NG - 170 LPV - 74	NG - 99 LPV - 40
	m ³ /hr	NG - 7.02 LPV - 3.34	NG - 4.81 LPV - 2.10	NG - 2.80 LPV - 1.13
20kW	BTU/hr	NG - 260,000 LPV - 337,500	NG - 187,000 LPV - 207,500	NG - 99,000 LPV - 100,000
	ft ³ /hr	NG - 260 LPV - 135	NG - 187 LPV - 83	NG - 99 LPV - 40
	m ³ /hr	NG - 7.36 LPV - 3.82	NG - 5.30 LPV - 2.35	NG - 2.80 LPV - 1.13

Sound Rating At 7 Meters

64 dBA⁴



Parts • Labor • Travel
Limited
Warranty³

Unlike other standby generator manufacturers, our warranty covers **parts, labor AND travel for the full length of the warranty** with no start-up costs!

¹ This generator is certified in accordance with UL (Underwriters Laboratories) 2200 (stationary engine generator assemblies) and CSA (Canadian Standards Association) standard C22.2 No. 100-14 (motors and generators).

² Fuel consumption rates are estimated based on normal operating conditions at 1/2 load. Generator operation may be greatly affected by elevation and the cycling operation of multiple electrical appliances - fuel flow rates may vary depending on these factors.

³ See operator's manual or BRIGGSandSTRATTON.com for complete warranty details.

⁴ Lowest no-load measurement per ISO 3744. Sound level measurement at other locations around generator may be different depending upon installation configuration



Additional Information

Other Features

Enclosure Material	Galvanneal Steel or Aluminum
Overcrank Protection	Yes
Engine Warm Up (sec)	20 or 50 Automatic Transfer Switch Controlled
Engine Cool Down (min)	1
Response Time (sec)	26 or 56 Automatic Transfer Switch Controlled
Monitoring Options	Basic Wireless Monitor InfoHub™ Monitor
Continuous Battery Charging	Yes

Weight and Dimensions

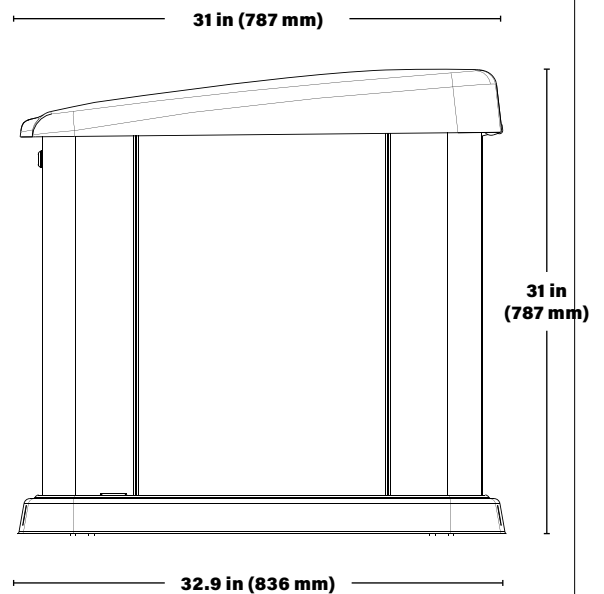
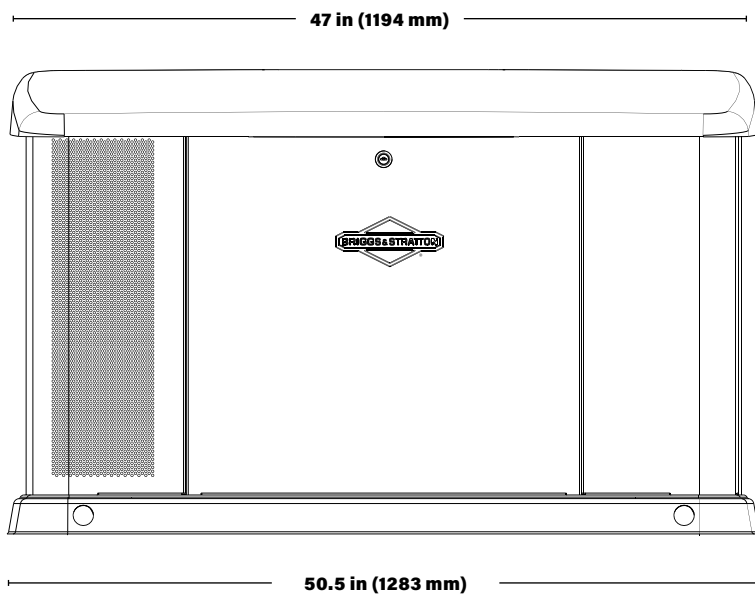
	17kW ¹	20kW ¹
Assembled Weight (lbs / kg)	484 / 220	Galvanneal - 601 / 273 Aluminum - 440 / 200
Overall Dimensions (in / mm)	50.5 x 32.9 x 31 / 1283 x 836 x 787	50.5 x 32.9 x 31 / 1283 x 836 x 787
Packaged Weight (lbs / kg)	610 / 277	Galvanneal - 626 / 284 Aluminum - 575 / 261
Packaged Dimensions (in / mm)	68.1 x 41 x 39.5 / 1730 x 1041 x 1003	68.1 x 41 x 39.5 / 1730 x 1041 x 1003

Certification

CARB Compliant	Yes*
cUL Listed to CSA 22.2 No. 100-14	Yes
UL 2200 Listed	Yes
EPA Certified Fuel System	Yes

Available Accessories

Maintenance Kit	6035
Cold Weather Kit	6231
Basic Wireless Monitor	6264
InfoHub	6517
Remote Status Monitor	6144



* CARB does not regulate emergency standby generators outputting less than 50 HP. Only the EPA standards apply.
¹ This generator is rated in accordance with UL (Underwriters Laboratories) 2200 (stationary engine generator assemblies) and CSA (Canadian Standards Association) standard C22.2 No. 100-14 (motor and generators).



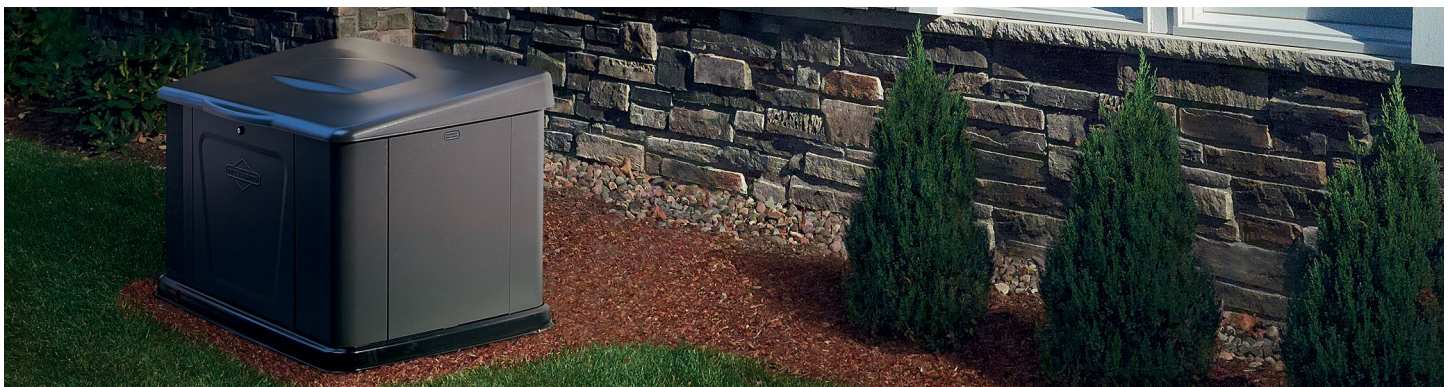
Fuel Pipe Size Recommendation Chart (Capacity in Thousands of BTU/Hour)

Natural Gas / Inlet Pressure less than 2 PSI / Pressure Drop 1/2" Water Column / Specific Gravity 0.60

	1/2" pipe capacity	3/4" pipe capacity	1" pipe capacity	1-1/4" pipe capacity	1-1/2" pipe capacity	2" pipe capacity
20' Length²	118	247	466	957	1,430	2,760
40' Length²	81	170	320	657	985	1,900
60' Length²	65	137	257	528	791	1,520
80' Length²	56	117	220	452	677	1,300
100' Length²	50	104	195	400	600	1,160

Liquid Propane Vapor / Inlet Pressure 11" Water Column / Pressure Drop 1/2" Water Column / Specific Gravity 1.50

	1/2" pipe capacity	3/4" pipe capacity	1" pipe capacity	1-1/4" pipe capacity	1-1/2" pipe capacity	2" pipe capacity
20' Length²	200	418	788	1,617	2,423	4,666
40' Length²	137	287	541	1,111	1,665	3,207
60' Length²	110	231	435	892	1,337	2,575
80' Length²	101	212	400	821	1,230	2,370
100' Length²	101	212	400	821	1,230	2,370



Support every step of the way

Need help? Visit BRIGGSandSTRATTON.com

Complete the web form and a local dealer will contact you to answer questions on our generators, transfer switches and accessories.

¹ This generator is rated in accordance with UL (Underwriters Laboratories) 2200 (stationary engine generator assemblies) and CSA (Canadian Standards Association) standard C22.2 No. 100-14 (motors and generators).

² Total length of piping from outlet of regulator to appliance farthest away.

Briggs & Stratton has a policy of continuous product improvement and reserves the right to modify its specifications at any time and without prior notice.

Not for Prime Power or use where standby systems are legally required, for serious life safety or health hazards, or where lack of power hampers rescue of fire-fighting operations.

BS1154 - 8/18

BRIGGS & STRATTON CORPORATION
 POST OFFICE BOX 702
 MILWAUKEE, WI 53201 USA

Copyright ©2018. All rights reserved.



YOU. POWERED.