

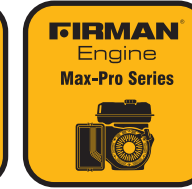
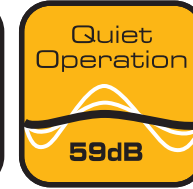
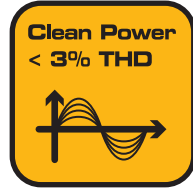
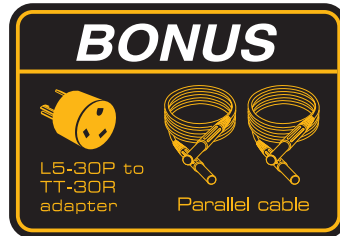
WO1784

1700 Watts Generator

FIRMAN®

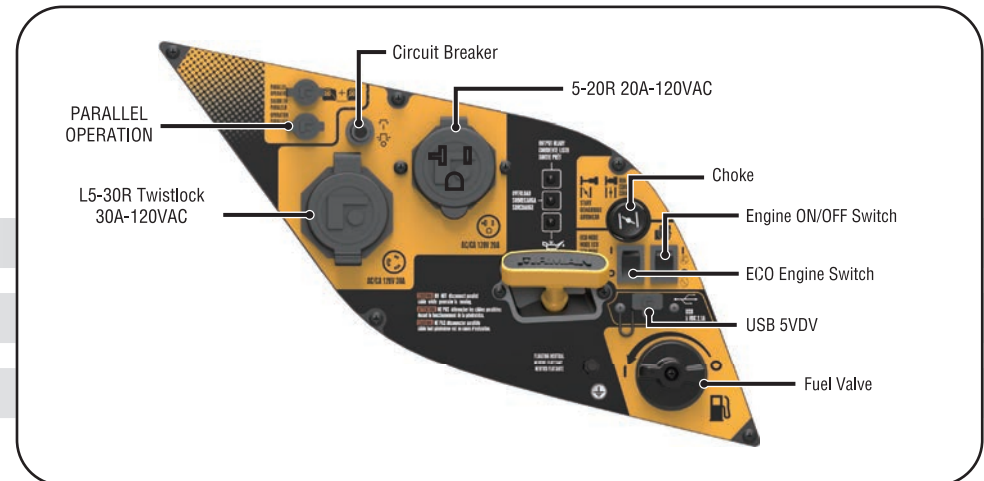
Whisper series

Running / Starting Watts: 1700/2100



Features & Benefits

- Fuel Economy Mode - reduces fuel consumption and promotes engine efficiency.
- The FIRMAN OHV engine (Max-Pro Series) for longer life/higher performance/lower maintenance.
- Cast iron sleeved engine for long durability with automatic low oil shutdown protection.
- Largest tank in the industry with extended run-time (less re-fueling) with integrated fuel gauge for convenience.
- Quiet muffler (Whisper Series) with USDA FS certified spark arrester.
- Conveniently located multi-featured control panel with FIRMAN custom designed outlet cover protecting outlets from dirt, dust and debris.
- Bonus accessories including engine oil, oil funnel, tool kit and battery charge cable.
- 3 year warranty.



W01784

1700 Watts Generator

FIRMAN®

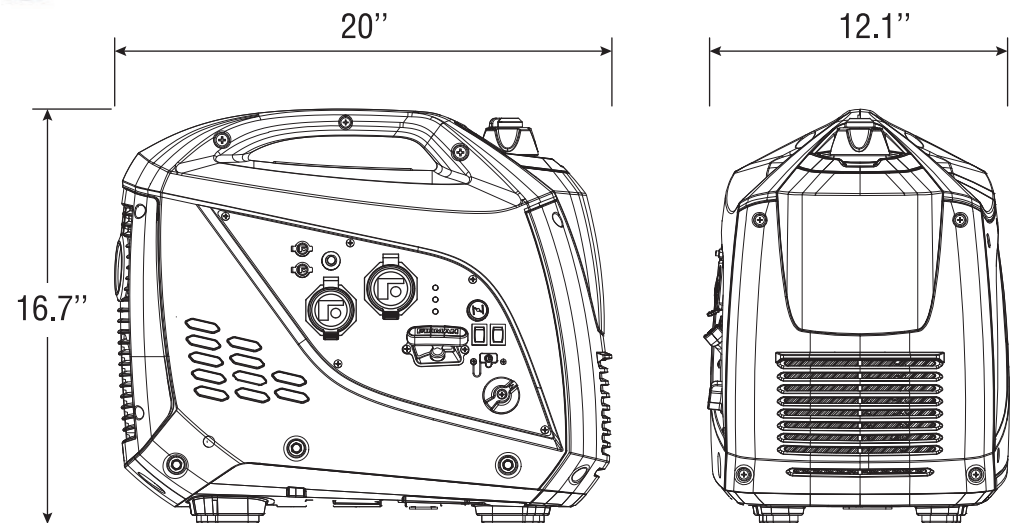
Whisper series

Specification

Model /Rev Level	W01784 / 00
UPC	840876117842
50 States	Yes
California (CARB)	Yes
Canada (CETL)	Yes
Running Watts	1700
Starting Watts	2100
Frequency (Hz)	60
Engine Displacement (cc)	80
Engine Type	OHV
Starting System	Recoil
Cylinder	Single
Fuel Type	Gasoline
Low Oil Shutdown	Yes
Cast Iron Sleeve	Yes
Brushed or Brushless Alternator	Brushless
Inverter	Yes
Fuel Tank Volume (Gal)	0.9
Fuel Gauge	No
Runtime @25% load (hours)	9.0
USDA FS Certified Spark Arrester	Yes



Battery	No
Accessories	Oil Bottle-Funnel-Tool Kit -Battery Charger Cable
Warranty Residential / Commercial (years)	3 Yrs Ltd / 90 Days
Carton LxWxH (inch)	21.7 x 15.0 x 18.3
Unit Weight (lbs)	45.9
Shipping Weight (lbs)	51.6



FIRMAN

8716 West Ludlow Dr. Suite #6
Peoria, AZ 85381

1-844-FIRMAN1 (1-844-347-6261)

www.firmanpowerequipment.com