

THE GIRAFFE HEAVY DUTY LINE

DLTG18A and DLTG24A4

OPERATOR'S MANUAL



High-Pressure All Aluminum Extendable Wands

ACCESSORIES

ACCESSORIES



General Pump
is a member of
the Interpump Group



GENERAL PUMP®

Thank you for purchasing a Giraffe Heavy Duty extension wand from **General Pump**.

With proper care your new Giraffe Heavy Duty extension wand will give you years of
reliable service.

Your safety is important to us.

*Please read and make sure you understand all of the safety warnings
and precautions prior to using your Giraffe Heavy Duty extension wand.*

If you have any questions regarding the safe operation of your Giraffe Heavy Duty
extension wand please contact our Technical Support Team at 1-888-474-5487



SPECIFICATIONS*

Wand Model	DLTG18A	DLTG24A4
Maximum Volume	10.5 GPM	
Maximum Gun Pressure	4000 PSI	
Maximum Fluid Temperature	195°F	
Shipping Weight	13 lb.	16.5 lbs.
Dimensions - Retracted	6.8" x 6'5"	6.8" x 6'8"

SAFETY WARNINGS AND PRECAUTIONS

THE USER OF THIS ACCESSORY IS RESPONSIBLE FOR READING, UNDERSTANDING, AND FOLLOWING ALL WARNINGS AND PRECAUTIONS PRIOR TO OPERATION.

FAILURE TO FOLLOW ALL WARNINGS AND PRECAUTIONS MAY RESULT IN PROPERTY DAMAGE, SERIOUS PERSONAL INJURY, OR DEATH.

- **NEVER** use near power lines.
- **NEVER** extend or retract wand while spraying or while under pressure. Stop the equipment and relieve pressure before making any adjustments to the wand.
- **NEVER** change nozzles or accessories while under pressure. Stop the equipment and relieve pressure before making any changes.
- **NEVER** use while on ladders or scaffolding.
- **NEVER** use with unapproved accessories.
- **NEVER** exceed rated pressure or volume.
- **NEVER** use high-pressure to clean persons or animals.
- **NEVER** remove or alter warning labels or identification tags.
- **NEVER** use wand if damaged.
- **ALWAYS** read, understand, and follow operation instructions.
- **ALWAYS** make certain area is clear of obstructions or hazards.
- **ALWAYS** maintain proper balance and control of extension wand.

SAFETY WARNINGS AND PRECAUTIONS

This label appears on the extension wand. **Do not remove or deface.**
If the label becomes damaged or unreadable please call for a no charge replacement.

 DANGER  DANGER  PELIGRO
<p>ELECTRIC SHOCK HAZARD Do not use on or near electrical wiring of any kind. Keep at least 10 feet (3 meters) away from power lines. Do not touch or aim spray at electrical wiring of any kind. Do NOT operate from ladders or elevating devices of any kind. Operator must maintain both feet on solid ground.</p>
<p>DANGER DE DÉCHARGE ÉLECTRIQUE Ne pas utiliser sur ou près de l'installation électrique de genre. Garder au bail 3 mètres loin des lignes à haute tension. Pas la touche ou le dessein vaporisent à l'installation électrique de genre. Ne pas fonctionner des échelles ou élever les appareils de genre. L'opérateur doit maintenir les deux pieds sur le sol solide.</p>
<p>PELIGRO ELÉCTRICO DE GOLPE No utilice en ni cerca de alabrado eléctrico de cualquier tipo. Mantenga por lo menos 3 metros lejos de líneas de fuerza. No toque ni apunte el rocío en alabrado eléctrico de cualquier tipo. No opere de escaleras ni elevar dispositivos de cualquier tipo. El operario debe mantener ambos pies en el suelo sólido.</p>

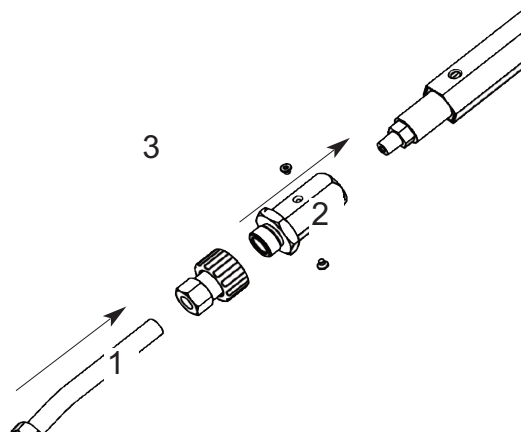
ASSEMBLY

To protect the coupler and lance during shipping these parts are shipped strapped to the extension pole.

All Giraffe wands require some final assembly.

To complete the assembly:

1. Using thread sealant, connect the hose to the brass adapter.
2. Remove the two screws from the brass adapter and slide the brass adapter into the aluminum wand. Be sure the angle of the lance bends away from the location of the gun on the wand.
3. Tighten the two screws into the brass adapter.



THE EXTENSION WAND IS NOW READY FOR USE.

OPERATION INSTRUCTIONS

Read, understand, and follow ALL safety guidelines and operation instructions prior to use.

To use your Giraffe HD extension wand:

Connect the outlet of your pressure washer to the inlet port of the trigger gun of the Giraffe HD extension wand using appropriate quick couplers or fittings rated to handle high pressure.

Do **NOT** bypass, disable, or remove the trigger gun.

The Giraffe HD extension wand may be used fully retracted or fully extended or at any detent in between. Caution must be used when the wand is extended as the reaction force of the nozzle spraying will cause the wand to flex. Make absolutely certain that there are no power lines or sources of electrical power within 10 feet of the lance at any time.

Contact with power transmission lines can cause fatal electrocution!

Caution: Do not extend or retract your Giraffe HD extension wand while spraying or while under pressure. Stop the equipment and relieve any pressure before making adjustments to the extension wand or changing nozzles.

To extend the wand:

Press the thumb lock and pull the wand out to the desired length. Release the thumb lock to hold the wand at the desired length.

To retract the wand:

Press the thumb lock and slide the extension segment into the wand until the desired length is reached and release the thumb lock to hold the extension segments in place.

-continued next page-

OPERATION INSTRUCTIONS (continued)

To begin spraying:

Start the pressure washer.

Raise the wand and keep the nozzle at least ten feet away from the surface to be cleaned. **Keep the extension wand clear of power lines.**

Squeeze the trigger to begin spraying, maintain stable footing, and move the wand in to the surface to be cleaned.

Caution: Except in cases of emergency, do not release the trigger near any surfaces.

To stop spraying:

Before releasing the trigger gun move the nozzle at least ten feet away from the surface being cleaned and make sure you have solid footing. **The wand will rebound when the trigger is released or if pressure is lost. USE EXTREME CAUTION** when working on or near fragile surfaces as there may be enough force to damage surfaces or break windows. **Keep clear of power lines.** When you are clear of the work surface and in a safe area - release the trigger.

ACCESSORIES



D20011 - 12" Gutter Cleaner



D20015 - Wand Support Belt

- Reduces strain on back, shoulders, and arms of the operator



Hose Reels

- 3500 psi
- 50', 100', 150', and 200' Capacities



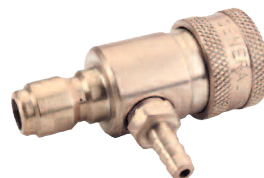
Y3K Rotating Nozzles

Nozzle Sizes #2.0 to #6.5
Pressures to 3000 PSI



5 Pack Nozzle Kits

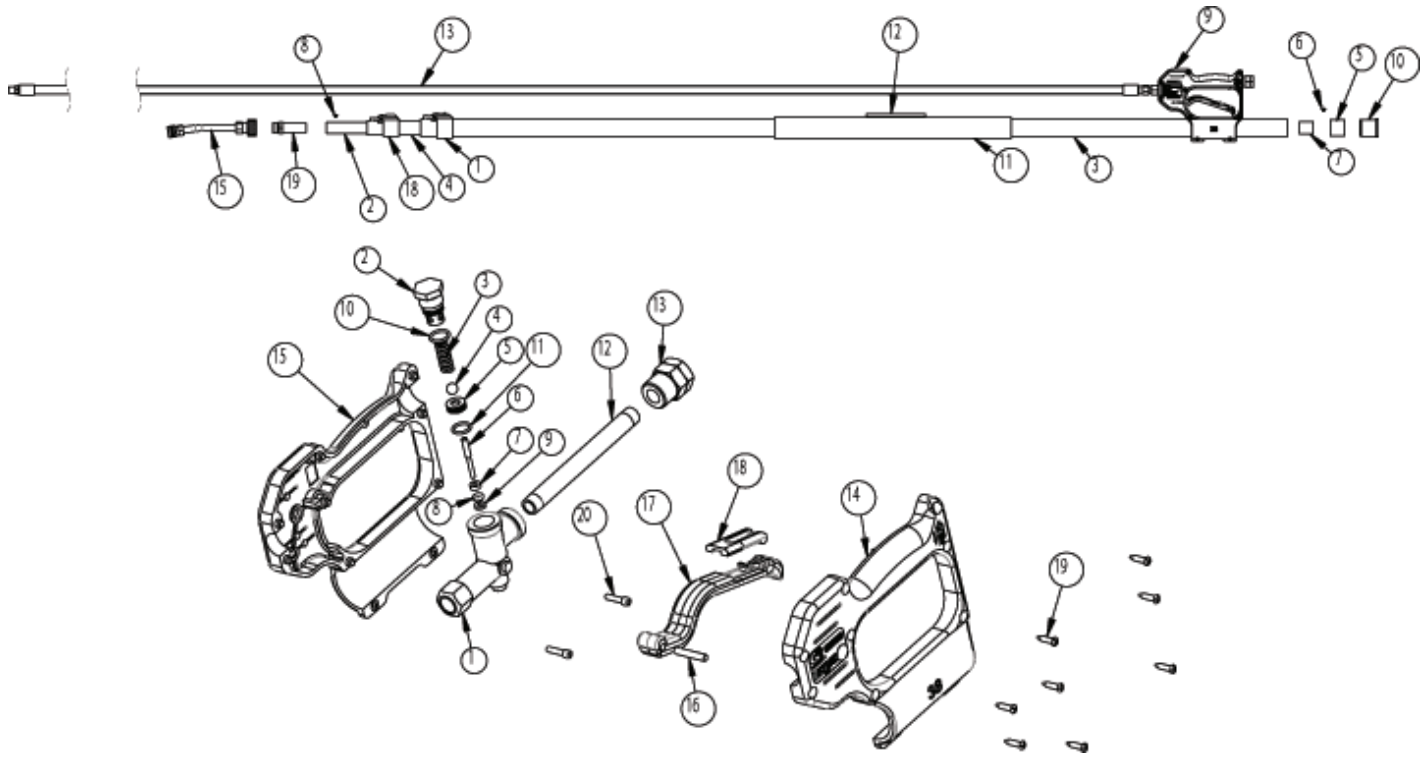
Kit includes one each:
0° - 15° - 25° - 40° High Pressure Nozzles
and one 25° #40 Soap Nozzle



QC Fixed Chemical Injectors

Flows to 8.0 GPM
Pressures to 3500 PSI
1.8mm, 2.0mm, 2.2mm Orifices

PARTS LIST & EXPLODED VIEW



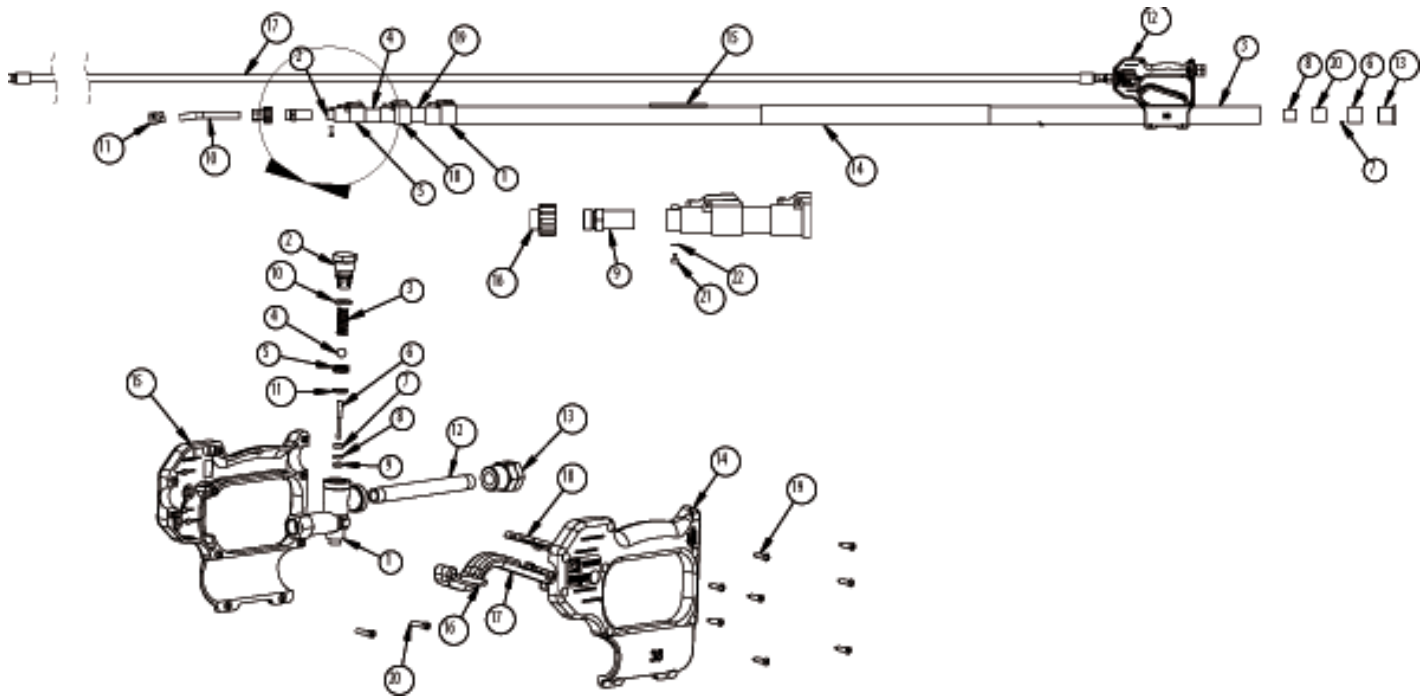
DLTG18A

Item No.	Part No	Description	Qty.
1	2103028	Lock, Pin	1
2	2550072	Tube	1
3	2550070	Tube, Round	1
4	2550071	Tube	1
5	2660131	Stop	1
6	2660132	Stop, Round Tube	1
7	2660130	Stop	1
8	2200060	Screw, M4 x 5, Stainless	2
9	DG4000TSA	Gun, 4000 PSI, 39 mm	1
10	2702029	Grommet	1
11	2702015	Guard, Foam	1
12	GPC0058	Label, Warning	1
13	2103030	Assy., Hose	1
15	2100205	Assy., Lance	1
18	2103027	Lock, Pin	1
19	2510135	Adapter	1
Not Shown	D10009	QC Plug	1
Not Shown	D10023	M22 Plug	1
Not Shown	D20015	Telescoping Wand Belt	1

DG4000TSA, GUN
(Item 9 from above)

Item No.	Part No.	Description	Qty.
1	2452001	Forging, Gun	1
2	2510005	Plug, Gun	1
3	2720001	Spring	1
4	2520004	Ball	1
5	2520003	Seat, Gun	1
6	2520002	Pin, Gun	1
7	2510004	Washer, Brass	1
8	2701048	O-ring	1
9	2660007	Washer, Teflon	1
10	2701050	O-ring	1
11	2701049	O-ring	1
12	2520001	Tube, Inlet, Gun	1
13	2510003	Fitting, Inlet, Gun	1
14	2660128	Housing, Gun, Left	1
15	2660013	Gun, Housing, Right	1
16	2512002	Pin, Trigger, Gun	1
17	2660004	Trigger, Gun	1
18	2660005	Stop, Trigger, Gun	1
19	2200002	Screw	8
20	2200001	SHCS, M4 x 16	2

PARTS LIST & EXPLODED VIEW



DLTG24A4

Item No.	Part No	Description	Qty.
1	2103068	Lock, Pin	1
2	2550108	Tube	1
3	2550105	Tube	1
4	2550107	Tube	1
5	2103070	Lock, Pin	1
6	2660182	Stop	1
7	2660184	Stop, Round Tube	6
8	2660185	Stop	1
9	2510189	Adapter	1
10	2530001	Lance, TW	1
11	D10001	Coupler, 1/4 QC	1
12	DG4000TSA	Gun, 4000 PSI, 39 mm	1
13	2660181	Grommet	1
14	2702015	Guard, Foam	1
15	GPC0058	Label, Warning	1
16	D10027	Fitting, M22-M	1
17	2103029	Assy, Hose	1
18	2103069	Lock, Pin	1
19	2550106	Tube	1
20	2660183	Stop	1
21	2200070	SHCS, M4 x 16	2
22	2203506	Washer, Lock	2
Not Shown	D20015	Belt, TW	1

DG4000TSA, GUN
(Item 12 from above)

Item No.	Part No.	Description	Qty.
1	2452001	Forging, Gun	1
2	2510005	Plug, Gun	1
3	2720001	Spring	1
4	2520004	Ball	1
5	2520003	Seat, Gun	1
6	2520002	Pin, Gun	1
7	2510004	Washer, Brass	1
8	2701048	O-ring	1
9	2660007	Washer, Teflon	1
10	2701050	O-ring	1
11	2701049	O-ring	1
12	2520001	Tube, Inlet, Gun	1
13	2510003	Fitting, Inlet, Gun	1
14	2660128	Housing, Gun, Left	1
15	2660013	Gun, Housing, Right	1
16	2512002	Pin, Trigger, Gun	1
17	2660004	Trigger, Gun	1
18	2660005	Stop, Trigger, Gun	1
19	2200002	Screw	8
20	2200001	SHCS, M4 x 16	2

300636 Rev.C
12-10